



Overview

The Saflok QuantumIV electronic lock offers dormakaba's unique award winning two-piece modular design with an RFID reader for a sleek and elegant appearance combined with superior lock performance. The lock accepts Mifare Plus credentials for enhanced functionality, and works with dormakaba access management software.

Mobile Access

This Bluetooth Low Energy (BLE) capable lock can operate using the dormakaba Mobile Access Solutions, allowing guests to use their mobile device as their hotel room key.

Applications

- Suitable for small to very large scale hotels
- Easily replaces existing mechanical or electronic door locks throughout a facility
- Access control for guest rooms, common areas as well as back-of-house

Warranty

- Standard 1-year
- dormakaba platinum, gold, and silver service plans

Security Features

- High security and tamper-proof design
- 1" solid deadbolt (optional auto deadbolt)
- Staff monitoring - RFID Keycard audits
- Tracking mortise for door ajar reporting (ädäse standard, MT optional)
- Emergency access: emergency key, mechanical key and electronic override
- Usage detail stamp in real-time with date/hours/minutes


Low Maintenance

- AA alkaline; Batteries last up to 2 years
- Low battery indicator alerts staff
- Lock programming and audit records are not erased during battery replacement
- Operates with a completely sealed contactless reader

Access control management software

The QuantumIV lock is supported by dormakaba's access management software solution for both guest and staff access. Optionally, choose dormakaba's online access management solution for superior control and monitoring.

Mechanical Features

Description	Electronic mortise lockset with 1" (25.4mm) throw deadbolt and 5/8" (15.9mm) dead-locking latch bolt	
Handing	Factory-handed mortise (left, right, left reverse, right reverse)	
Lever	ADA Compliant  Apogee Arc Continental Elevon Gala Troy	
Available Finishes	Bright Chrome, Satin Chrome, Bright Brass, Satin Brass, Satin Nickel, Dark Mahogany , Black	
Door Thickness	1 3/4" (44.5mm) to 2 1/8" (53.98mm) for standard product	
Shipping Weight	Approximately 8.0 lbs (3.62 Kg) with hardware	
Housing Construction	Escutcheons: stainless steel/brass; Levers: brass, zinc, or stainless steel	
Standard Backset	2 3/4" (69.9mm) from door edge to lever	
Locking Options	ANSI lock case with 1 1/4" or 1" faceplate	
Online Configurations	Messenger LENS Ready	DAJ mortise (ANSI lock case) Standard (stand alone) inside escutcheon
	Messenger LENS Online	Lock controller board with Messenger LENS capability ; DAJ mortise (ANSI lock case) Inside escutcheon equipped with Messenger LENS module

Mobile Access Option

BLE compatible	Standard Lock. Upgradeable to BLE by adding BLE connector cable, end cap and BLE module
BLE ready	Upgradeable to BLE with BLE module
BLE enabled	End cap with BLE module included, no further upgrades needed

Lock Operation

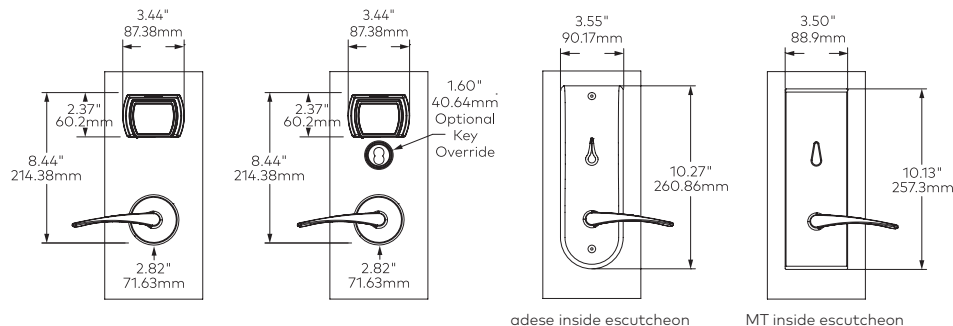
Interrogation	Obtain key usage reports from the lock by using a handheld unit at the door, or remotely using Messenger LENS
Keycards	Configurable expiration dates and can be made up to 10 days in advance without canceling current or arriving guests
Passage Mode	Set by authorized keycard or Messenger LENS system. Can also be configured to perform an automated/pre-defined passage mode time.
RFID Credentials Specifications	Two credential format options available: Mifare Classic or Mifare Plus- Mifare Classic (4byte NUID): Guest Keycards (Mini), Staff (4K & 1K) - Mifare Plus: Guest Keycards (Mifare Ultralight C, 7 Byte UID), Staff Keycards (Mifare Plus S 2K, 4 Byte NUID, Mifare Plus S 4K, 4 Byte NUID)
Audit Trail	Up to 4,000 events
Disability Feature	RCU readers required to interface with automatic power operated doors for special openings

Certifications & Testing

Accessibility Standard	ADA compliant levers (Code of Federal Regulations 28 CFR Part 36 – 1994 "ADA Standards for Accessible Design")
BHMA/ANSI	Certified Grade 1 "ANSI/BHMA A256.13-2012 Standard for Mortise Locks and Latches," and "ANSI/BHMA A256.25-2013 Standard for Electrified Locking Devices."
Fire Rating	Fire certified for Europe EN-1634-1 for 30 minute doors Listed for pre-prepared manufactured doors and certified for retrofitting existing doors by UL for use on fire doors having up to a three-hour rating. a. U.L. Certification: GWVW.R12071 "Accessories for Single-point Locks and Latches and Fire Exit Hardware." (UL 10B and 10C) b. U.L. Listing: GYQS.R11247 "Electrically Controlled Single-point Locks and Latches." (UL 10B and 10C) c. Also classified in accordance with Uniform Building Code Standard 7-2, "Fire Test of Door Assemblies" (1997)
Electronics	

Warranty

Standard Warranty	One year
Support Programs	dormakaba service plans available - (Gold, Silver, Bronze).



© dormakaba 2020 Information on this sheet is intended for general use only. dormakaba reserves the right to alter designs and specifications without notice or obligation.